



Your No. 1 supplier of High Quality Wiper Systems



A global share in innovative technology

[Online](#)

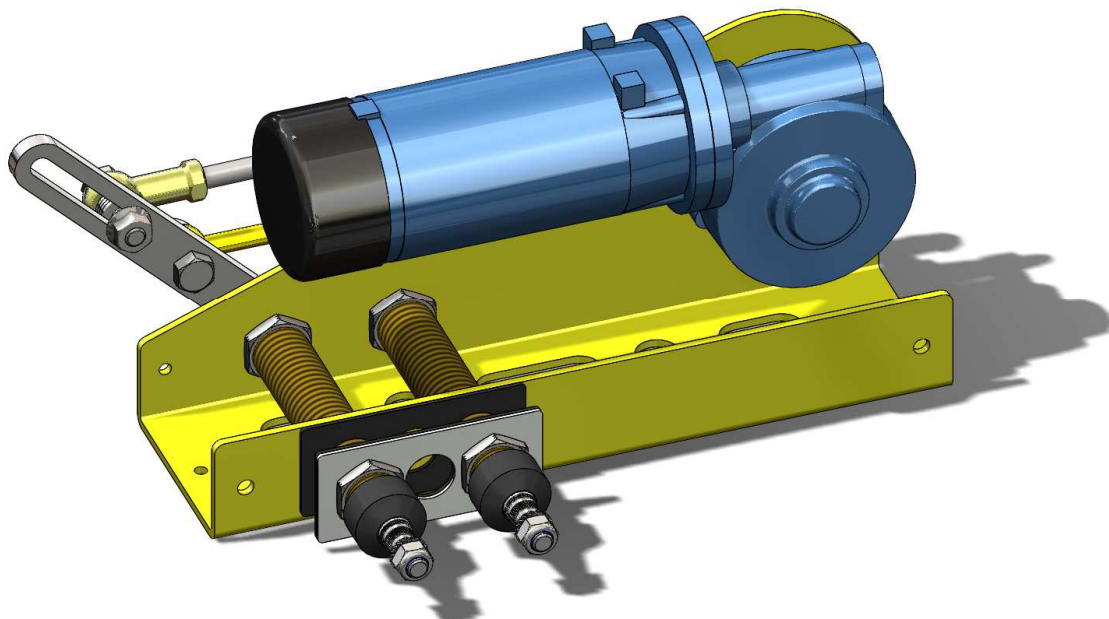
## Strong, stronger, strongest

### Introduction new wiper system for large windscreens for marine application: 2110BS

With a growing demand for large and super yacht windscreen dimensions, the need for stronger wiper systems became obvious. We took up the challenge to fulfill this requirement. Large and beautiful windscreens on greatly designed yachts require an efficient and well designed wiper system with long range wiper arms and blades. EXALTO Wiper technologies designed a wiper system that answers all these demands: 2110BS.

The self parking system for bulkhead mounting is driven by a **110Nm powerful electromotor** that is available in 24VDC. The system works with a compact and strong chassis that is easily fitted and requires a minimal space envelope in the ship. In recent months, the system has been thoroughly tested in our own test facility in the Netherlands. Endurance tests under different circumstances have proven that the system is a more than valuable addition to the HD2 segment of Exalto wiper systems.

The system is available with HD2 (formally P12) **wiper arms and a special selection of blades up to 2000 mm**. The efforts of our designers & engineers resulted in a system which clears **windscreens up to 2100 mm in height** maximum. Special designed 16mm box wiper arms have been created to fulfill the Extra Heavy Duty requirements for the system.



### Highlights 2110BS:

Voltage	24 VDC
Torque	110 Nm
Power consumption	84/110 W
Insulated earth return	Yes
Standard bulkhead thickness	25
Max. arm length	1850 mm
Max. blade length	2000 mm
Two speeds	Yes
Self parking	Yes
Wiping arc	Stepless 40°-90°
Drive shaft	27 mm
Idler spindle	27 mm
Centre distance	60
Driven shaft	Dual driven
Overall space envelope	405 x 165 x 187.5

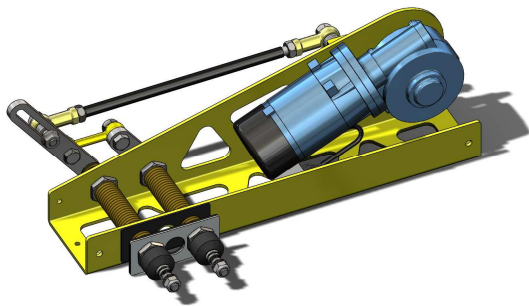
If you require additional information or need a full data sheet, please visit our web site:  
[www.exaltowipers.com](http://www.exaltowipers.com)

The 2110BS with compact chassis is available from May 2016

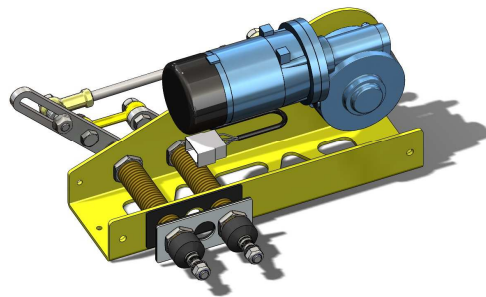
## 20% less installation space

### New smaller chassis for HD2 wiper 280BS

The space envelope required for this wiper system is reduced by 20% being 3.39 dm<sup>3</sup> compared to the last version and therefore the system will now be even easier to fit in your application. This same strong and compact chassis is soon available for both 280BS & 2110BS. All specifications (other than dimensions) remain to ensure possible future replacement.



Old 515x165x187.5mm



New 405x165x187.5mm

### Highlights 280BS:

Voltage	24 VDC
Torque	800 Nm
Power consumption	55/77 W
Insulated earth return	Yes

Standard bulkhead thickness	25
Max. arm length	1500 mm
Max. blade length	1500 mm
Two speeds	Yes
Self parking	Yes
Wiping arc	Stepless 40°-90°
Drive shaft	27 mm
Idler spindle	27 mm
Centre distance	60
Driven shaft	Dual driven
Overall space envelope	405 x 165 x 187.5

### The 280BS with compact chassis is available from May 2016

The current, large chassis will be available for some time and will be phased out from Autumn 2016. From that moment on only the compact chassis will be supplied.

The product number is 2178.080.

For special applications where the current chassis requires extra stiffness, Exalto will supply an additional support. Ask for the Technical Bulletin 2016.02.05 at: [wipers@exalto.com](mailto:wipers@exalto.com)

If you require additional information or need a full data sheet, please visit our website: [www.exaltowipers.com](http://www.exaltowipers.com)

## Our current range

### Exalto window wiper systems

Window height	up to 1100mm		up to 1600mm	between 1100-2100mm	
	LD	MD1	MD2	HD1	HD2
Nm range	15	23 - 32	40	55	80 - 110
Motor series	215	223 230 232 235	240	255	280 2110
Arms series	LD (LD)	MD1 (PU)	MD2 (PF)	HD1 (P10)	HD2 (P12)

### Easy choosing

In order to make it more easy to choose the right wiper system we created some wiper family ranges. Starting by selection of windscreen dimensions we assigned our formal wiper system names into families.

#### LD

When a recreational ship with small windscreens won't be smashed into the waves in rough weather and

heavy sea conditions a LD (Light Duty) systems will certainly fulfill the needs.

#### **MD1**

Starting from the MD-range it gets Heavy Duty. For sea going recreational ships and light commercial ships with windscreen dimensions **up to 1100 mm height** a MD1 system is the best choice to ensure the most reliable window wiper system. The MD1 wipers have proven to be the worlds best windscreen wiper systems on a large variety of applications all over the world.

#### **MD2**

Where windscreens become larger the demand for higher torque and larger arms and blades are necessary. Windscreens **up to 1600 mm in height** can count on being cleared by this strong wiper system.

#### **HD1**

Windscreens with **heights between 1100 and 2100 mm** require an even bigger torque and ofcourse larger arms and blades. This is where the HD1 system proves it's reliability and ensures a clear view even in the most harsh conditions.

#### **HD2**

To fulfill the need for every possible application we engineered the HEAVY HEAVY Duty wiper system HD2. With a torque of 80 or 110 Nm windscreens **up to 2100 mm in height** will enjoy clearance of rain and seawater to provide the helmsmann a safe and clear view. The most powerfull wiper system for the largest wiped area ever.

## **Coming exhibitions**

Exalto is on next exhibitions this year:

Maritime Industry, Gorinchem - The Netherlands. From May 24th until May 26th 2016  
METS, Amsterdam - The Netherlands from November 15th until November 17th 2016.

Can't wait to meet us? Don't hesitate to contact us, we are very pleased to welcome you. Call us during business hours or send an e-mail to [wipers@exalto.com](mailto:wipers@exalto.com)



U receive this newsletter occasional when we have urgent matters or special offers from what we think might be of interest to your business. If you would no longer like to receive e-mail from us you can unsubscribe below.

**Exalto B.V. - Nijverheidsstraat 12 - 3371XE - Hardinxveld-Giessendam - [wipers@exalto.com](mailto:wipers@exalto.com) - [www.exaltowipers.com](http://www.exaltowipers.com)**

Click [here](#) to unsubscribe.