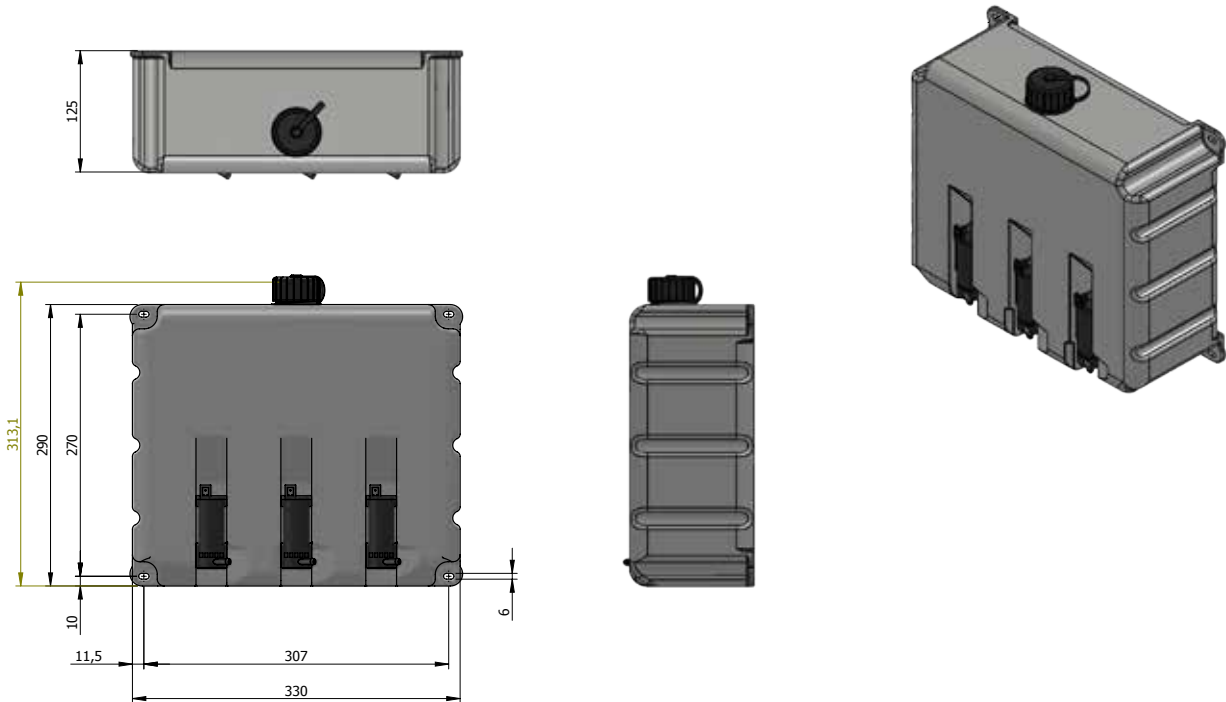


Water reservoir

ARTICLE NO: PT0701045



Information

Material: **Polyethylene (PE)**
 Temperature range: **-40°C / 100°C**
 Melting temperature: **135°C**
 Combustion temperature: **± 350° C**
 Electrical insulation: **Excellent**
 Hardness (shore A): **65**
 Thermal conductivity: **0.37 W/m.K**
 Volume: **8 ltr.**

Pump (3 pc)

Article nr.: **2194.020**
 Voltage: **24V**
 Amperage: **2.5 A**
 Pressure: **2 bar**
 Capacity: **3 ltr/min.**
 IP Rating: **IP54**
 Max. run time pumping: **3 min.**
 Min. dry run time: **1 min.**

General resistance

Mineral oils and greases: **Low**
 Animal/ vegetable oils and fats: **Good**
 Acid: **Excellent**
 Concentrated acids: **Good**

Solvents

Aliphatic, gasoline, etc.: **Low**
 Aromats, toluene, benzene: **Low**
 Esters, ethers, alcohol: **Excellent**
 Chlorides; tetra, tri, etc.: **Moderate**
 Sunlight and ozone : **Good**