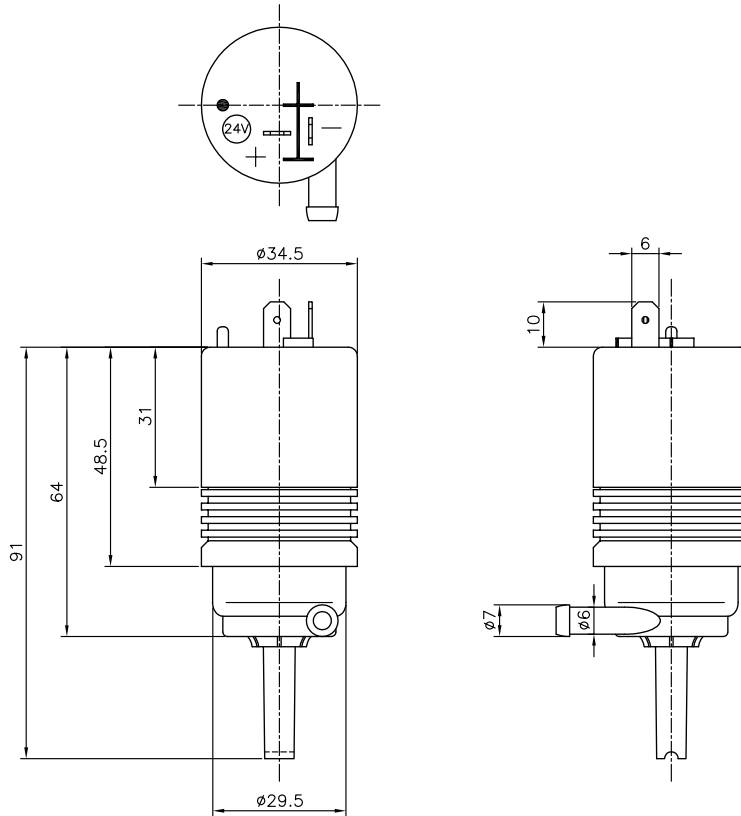


Wash pump

ARTICLE NO: 2194.010



Information

Type:	Mono Pump	Pin 1:	positive
Voltage:	24V	Pin 2:	Negative
Current:	2.5A	Housing:	POM, natural
Pressure:	2Bar	Cover:	POM, black
Capacity:	1 ltr/min.	Impeller:	PA66-GF35, natural
Contact:	Flat connector 6.3 x 0.8mm	Diameter housing:	35mm
Class:	IP4	Diameter inlet:	7mm
		Diameter outlet:	6mm

Notice!

When installing the pump, install the pump and the rubber sleeve separately from each other!
 First place the rubber gasket in the tank hole.
 Once the gasket is in place, the pump can be carefully positioned.