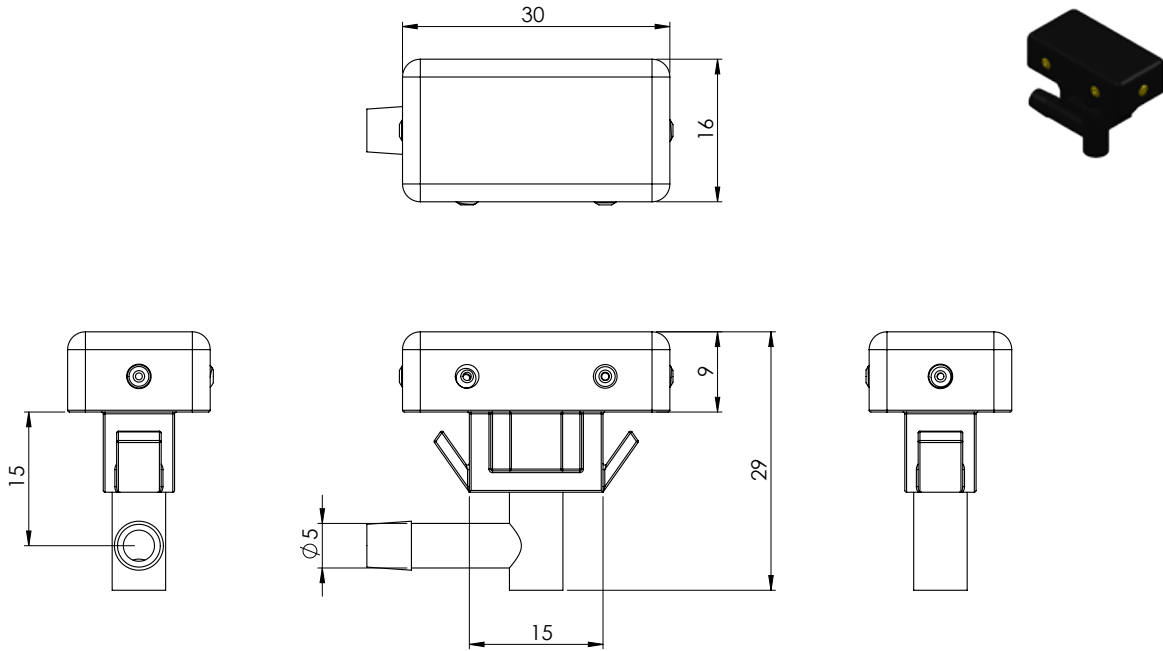


Wash nozzle

ARTICLE NO: 2185 - 2185L



Information

Material:	POM
Temperature range*:	-40°C / 105°C
Thermal conductivity:	0.31 W/m.K
Abrasion resistance:	Good
Electrical insulation:	Excellent
Tensile force:	10 - 20 Mpa
Special Properties:	Low friction, high stiffness
Nozzle's (4 pc):	0.5mm
Flow rate:	1.5ltr at 2bar

Nozzle's are adjustable in spraying angle with included adjusting needle.

* At temperatures below 0°C, antifreeze has to be added to the wash water.