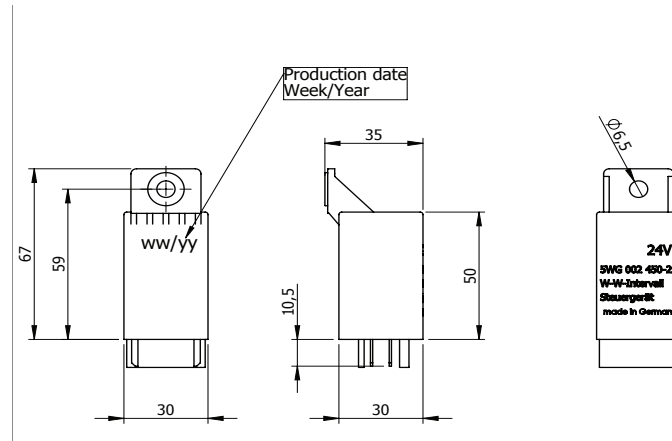


Wipe-wash relay 24V

ARTICLE NR: 2168



Specifications

Materials:

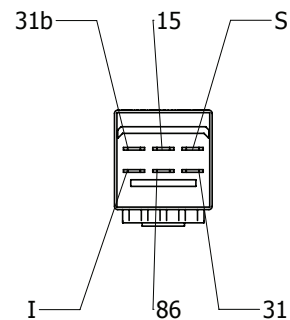
- Housing: PA66-GF30 (black)
- Base plate: PA66-GF30 (black)
- Terminals: CuZn (tin plated)

Min. operating voltage (Umin): 21.2V
 Max. operating voltage (Umin): 30V

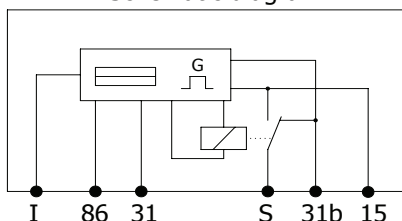
Ambient temperature for values below: +18°C to + 28°C
 Drop-out delay (Ta) while wipe-wash in operation: 4s ± 1s
 Start delay (Ta) while interval in operation: ≤ 1s
 Idle time (Ta) while interval in operation: 5s ± 1s

Indicators

Pin	Function	Note
31	0V	Ground
S	Outlet	Engine input
86	Inlet WW	Operation wipe-wash
15	+24V	+U bat
I	Inlet I	Operation interval
31b	Inlet M	Response engine status



Schematic diagram



Terminals acc. to DIN 46244 A6.3×0.8

