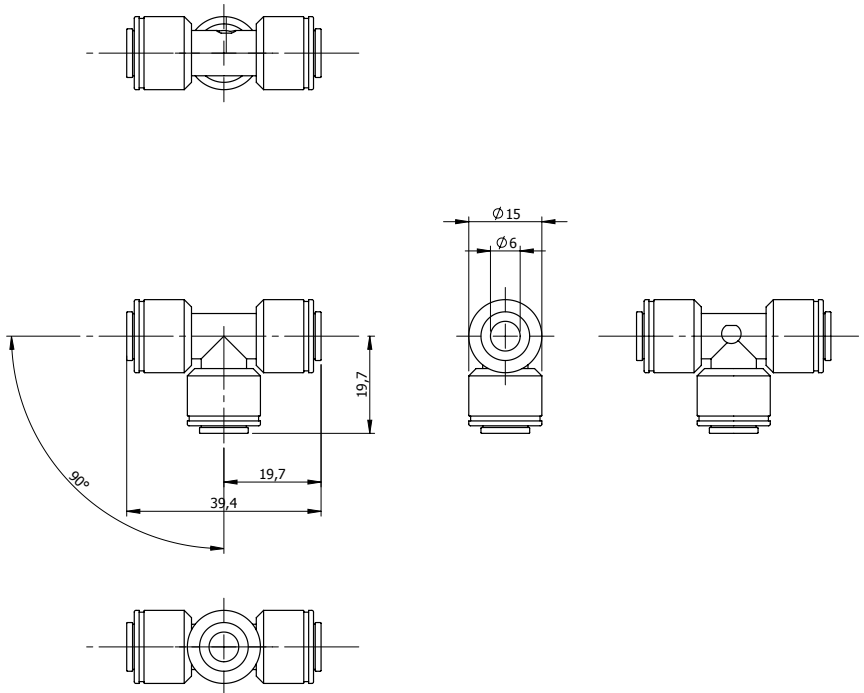


T-push in fitting

ARTICLE NO: 2166



Information

Material:	POM
Temperature range*:	-40°C / 105°C
Thermal conductivity:	0.31 W/m.K
Abrasion resistance:	Good
Electrical insulation:	Excellent
Tensile force:	45 Mpa
Special properties:	Low friction, high stiffnes

To be used with Ø 6 mm tubing.

* At temperatures below 0°C, antifreeze has to be added to the wash water.