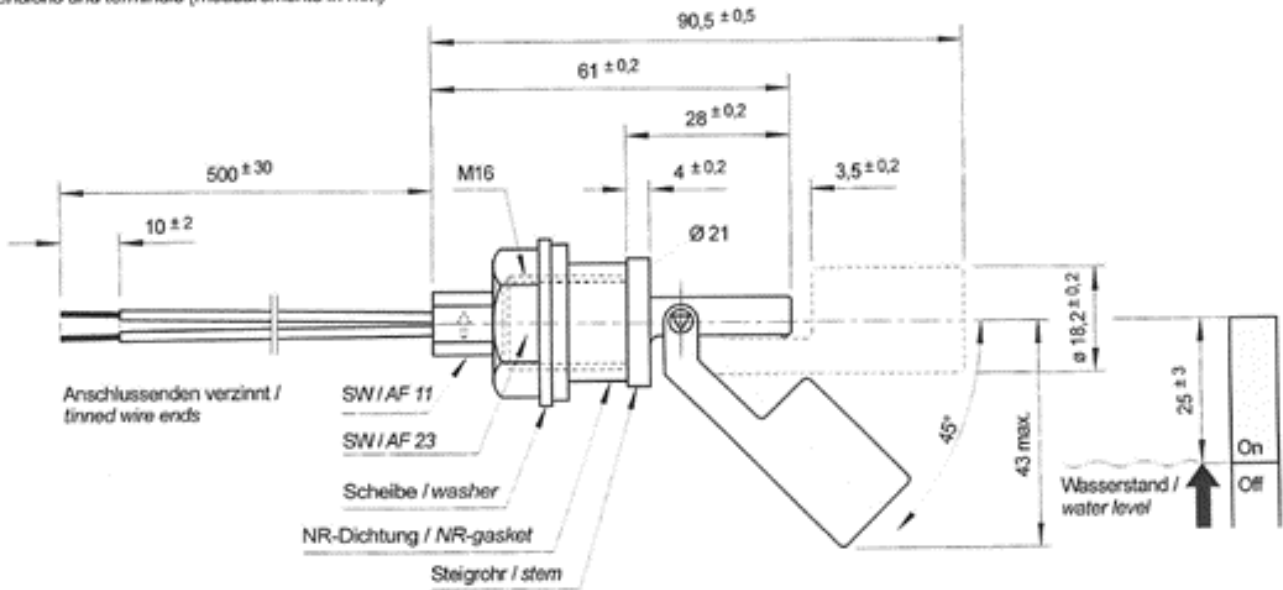


# Level sensor

ARTICLE NO: 21.425.002

Abmessungen und Anschlüsse ( Maße in mm)  
Dimensions and terminals (measurements in mm)



## Information

### Contact data

Contact form:	<b>NO (form A)</b>
Contact material:	<b>Rh</b>
Switching power, ohm, max.:	<b>40 W</b>
Switching current, ohm, max.:	<b>1 A (DC)</b>
Switching voltage, max.:	<b>200/250 V (DC,AC)</b>
Disruptive voltage, min.:	<b>580 VDC</b>
Contact resistance, max.:	<b>100 mOhm</b>

### Materials

Stem:	<b>Polypropylene, blue</b>
Float, hollow:	<b>Polypropylene, blue</b>
Nut:	<b>Polypropylene, blue</b>
Washer:	<b>Polypropylene, blue</b>
Gasket:	<b>NR, black</b>

### General data

Connecting wire:	<b>FEP wire, UL-style 1332, black</b>
Diameter of wire:	<b>2 x AWG 22</b>
Length:	<b>500 mm</b>
Operating temperature range:	<b>-20 - +120° C</b>
Insulation resistance:	<b><math>10^9</math> ; Test voltage 100VDC</b>
Mounting position:	<b>Horizontal</b>