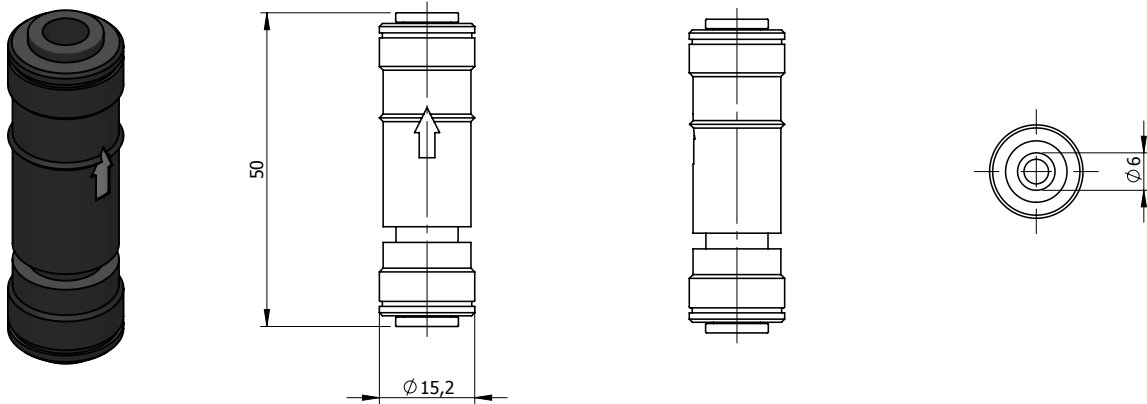


# Non-return Valve 6x6mm

ARTICLE NO: 2128



## Information

Material:	<b>POM Acetal Copolymer</b>
Air temperature range*:	<b>-20°C / 65°C</b>
Working temperature:	<b>+1°C / 65°C</b>
Working pressure:	<b>16Bar (+1°C), 16Bar (+20°C), 10Bar (+65°C)</b>
Tube size:	<b>6mm (tolerance +0,05 -0,10mm)</b>

### General resistance

Washing fluid:	<b>Excellent</b>
Ethanol:	<b>Good</b>
Aceton:	<b>Poor</b>

The valve is designed for use with liquids, it is not suitable for air and vacuum applications. Any ethanol-based fluids containing no acetone that are available on the market may be used as windshield wiper fluid, provided that the mixing ratio and instructions of the manufacturer of the windshield wiper fluid are followed.

\* At air temperatures below 0°C, antifreeze has to be added to the wash water.