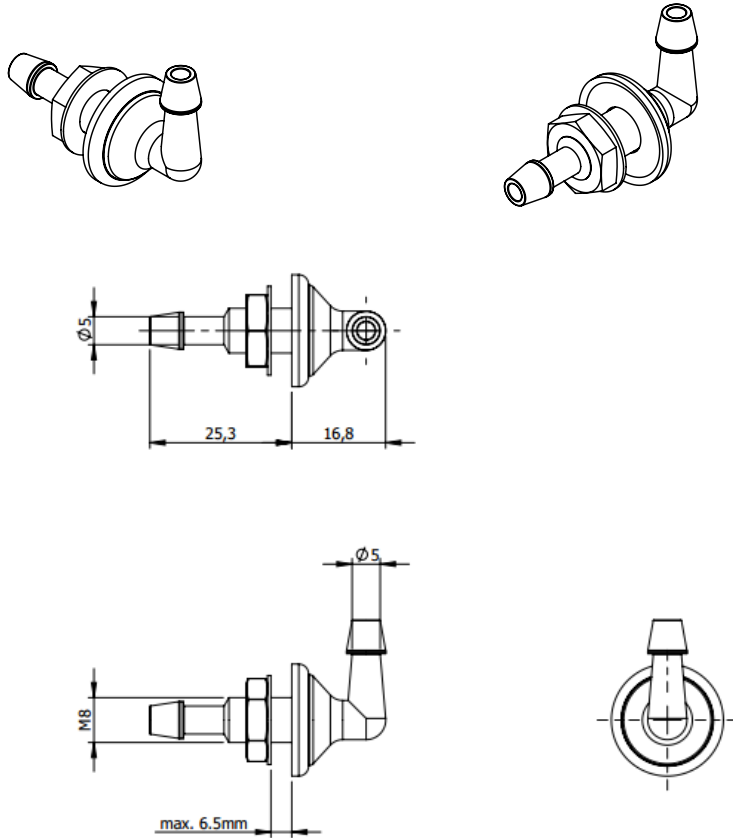




Bulkhead fitting 90°

ARTICLE NO: 2122



Information

Material: **POM Acetal Copolymer**
Diameter: **4mm**
Thickness Max.: **6.5mm**