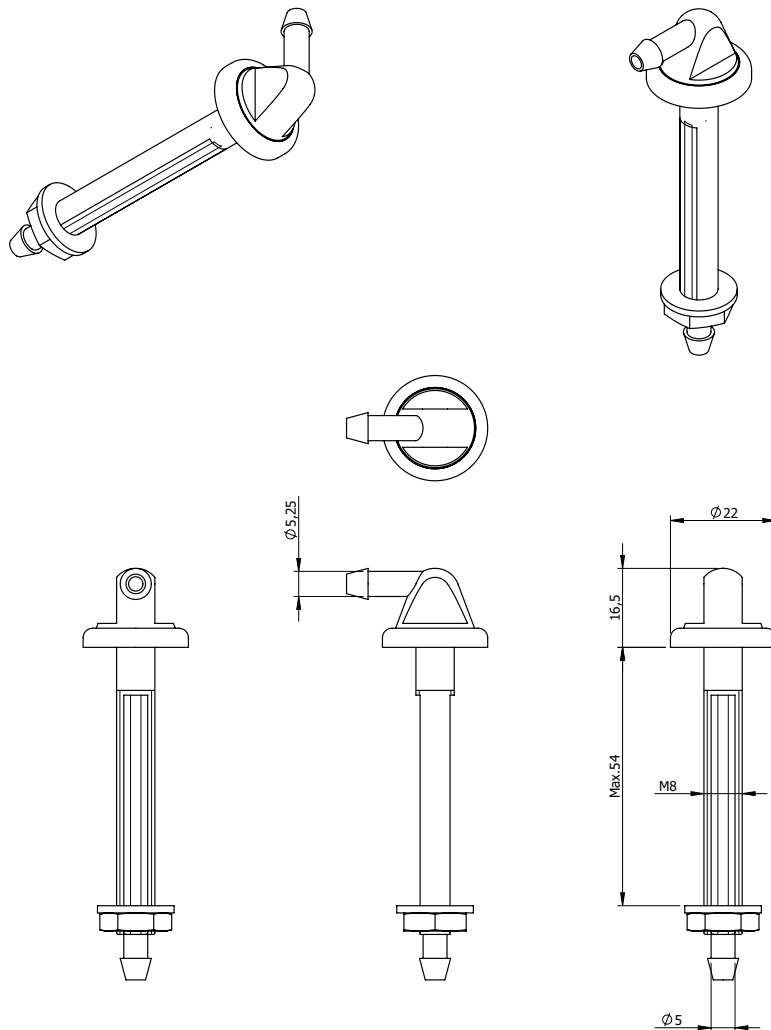




# Bulkhead fitting 90°

ARTICLE NO: 2122.715.N



## Information

Material:

**Polyamide**

Connection adapter:

**$\varnothing 5\text{mm}$  and  $\varnothing 5.25\text{mm}$**

Bolt:

**M8**

Insert:

**max. 54mm**